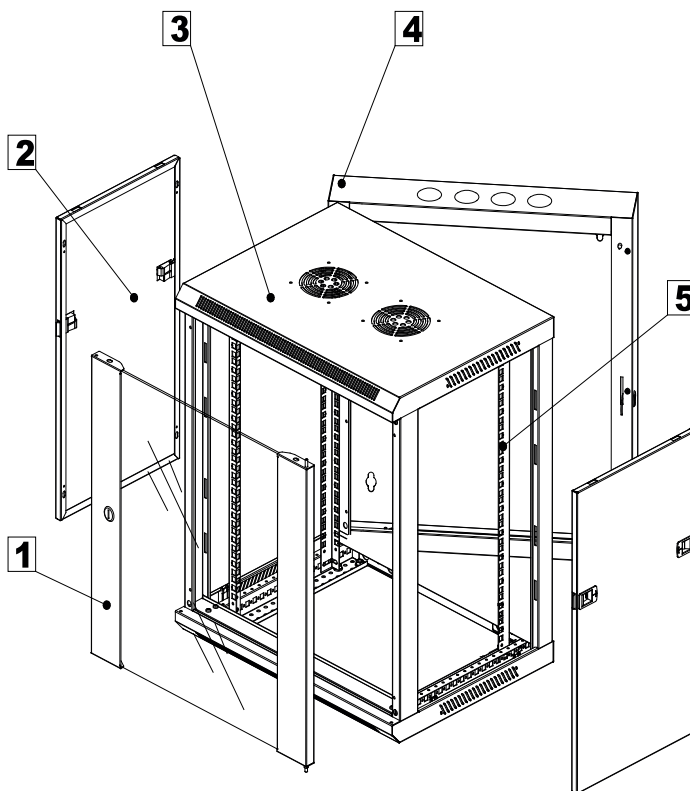


## NCBWUE series Wall cabinet Double Section



### Standard:

Comply with ANSI/EIA RS-310-D,  
IEC 60297-2, DIN 41494; PART 1;  
DIN 41494; PART 7

### Material:

SPCC Cold Rolled Steel;  
T Thickness: 19" rails: 1.5mm, profile:  
1.2mm, others: 1.0mm

### Colour:

Black

### Loadin Capacity:

Static loading: 30KG

### Protection category:

IP20

### Finish:

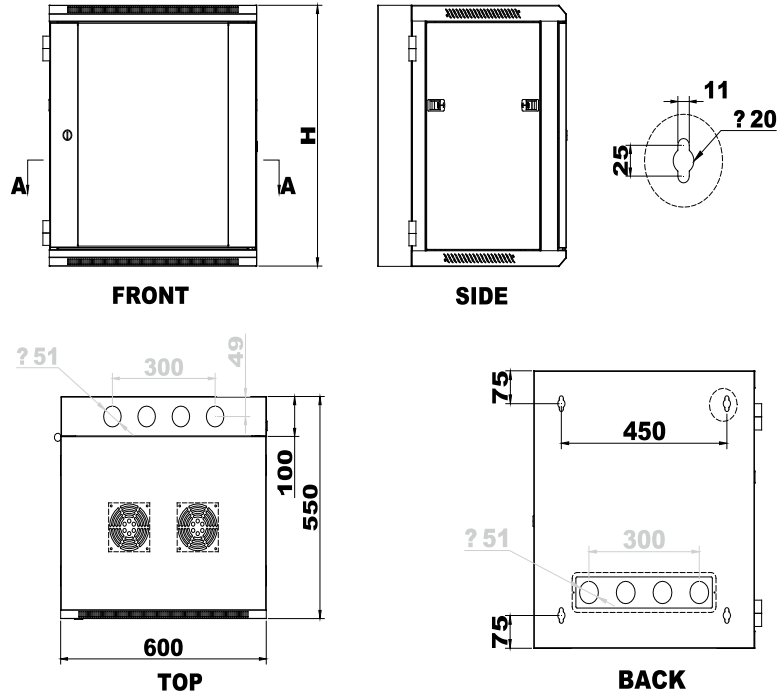
Pretreated steel coated with textured,  
polyester powder paint

## FEATURE:

- Double section welded frame structure;
- Easy operation and maintaining at the back;
- 19" standard installation;
- Removable side panels, side locks are optional, easy installing and maintaining;
- Cable entry at the top cover and bottom panel;
- 120mm fan optional;
- Turning angle of front door is above 180 degrees;
- Turning angle of rear door is above 90 degrees

# MAIN PART

S/N	Specification	Qty	Material	Surface Finish	Remark
1	Front door	1	5MM toughed glass door/ SPCCt1.2	Powder coated	
2	Side panel	2	SPCC t1.0	Powder coated	----
3	Front frame	1	SPCC t1.0/ t1.2	Powder coated	----
4	Back frame	1	SPCC t1.2	Powder coated	----
5	19 " rails	4	SPCC t1.5	Powder coated	----
	M6 screw& nuts	10	Steel	Color zinc	Accessories bag



All Rights Reserved Copyright © 2013 VCP Technology

## SPECIFICATION

Model No.	RU	Width(mm)	Depth(D)(mm)	Height(H)(mm)	Packing dimension (mm)
NCBWUE	6	600	550	370	620*580*390
NCBWUE	9	600	550	500	620*580*520
NCBWUE	12	600	550	635	620*580*650
NCBWUE	15	600	550	770	620*580*790
NCBWUE	18	600	550	900	620*580*920
NCBWUE	22	600	550	1080	620*580*1100

CERTIFICATE:  
ISO 9001:2008  
GB/T 19001:2008



ACORDING TO:  
CE, UL, RoHS, ETL

